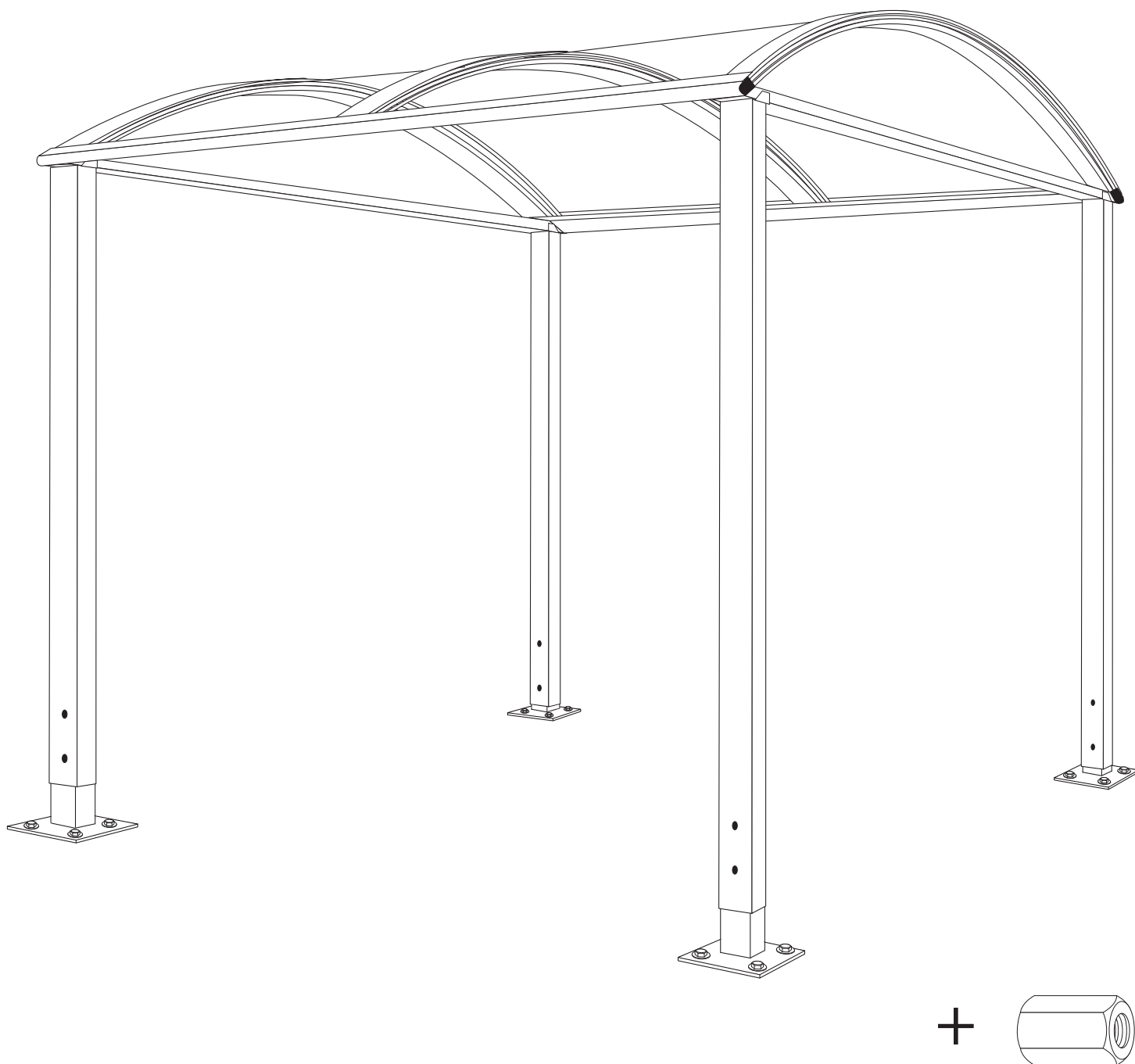
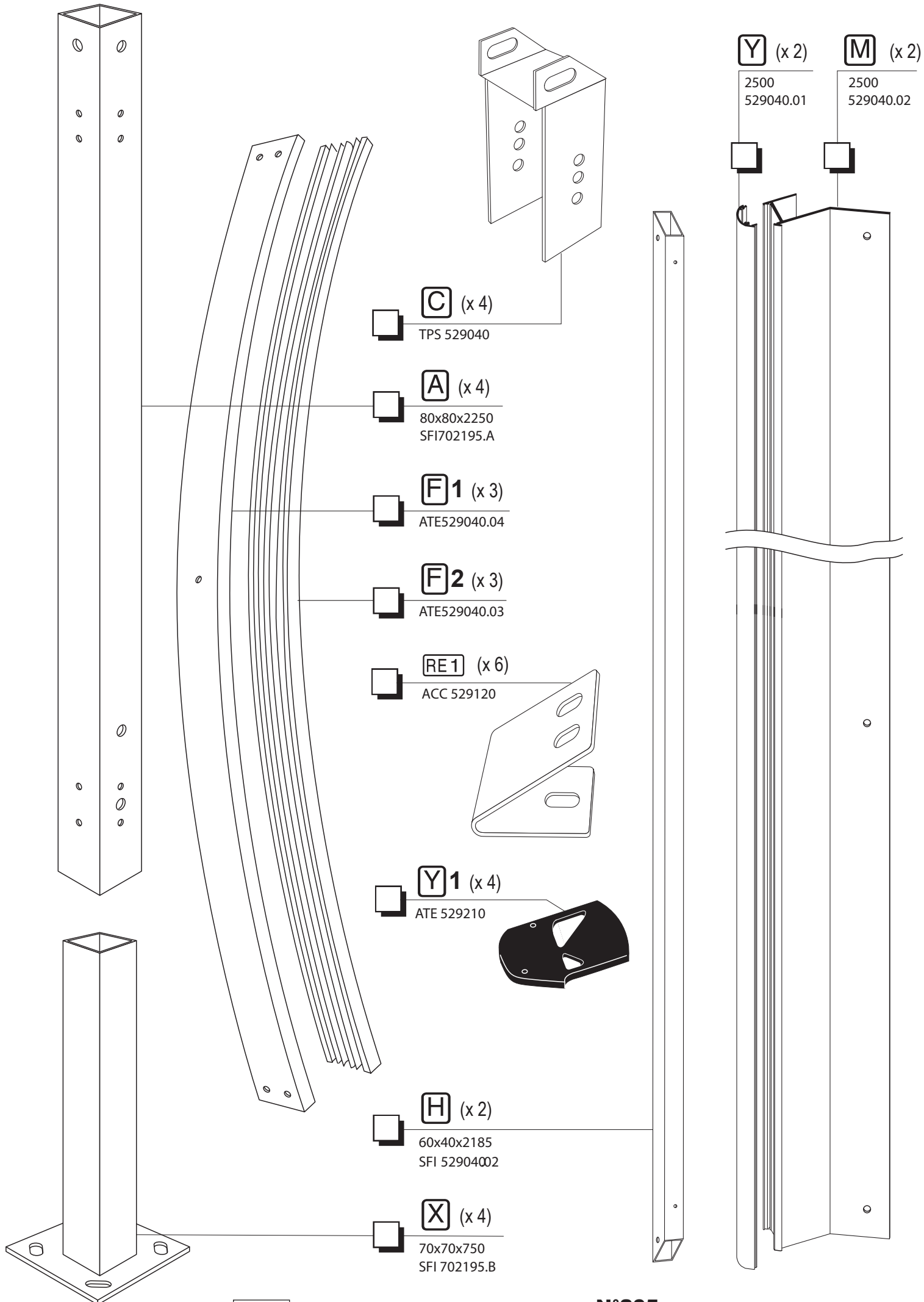


# ABRI VOÛTE INITIAL - 2520 x 2170

Réf. 529040





**B** (x 8)  
H M10 x 90  
ACC 02174

**B2** (x 4)  
H M10 - ACC 05013

**E** (x 12)  
M 10 - ACC 18143

**P** (x 2)  
M10  
ACC13020

**N** (x 8)  
BHC M8 x 80  
ACC 02144

**J** (x 4)  
M8 x 55  
ACC 22325

**G** (x 12)  
CHC M8 x 35  
ACC 22362

**RE6** (x 2)  
H M8 x 20  
ACC 22273

**O** (x 8)  
HFr M8  
ACC 04986

**L** (x 6)  
H M8 - ACC 05012

**K** (x 16)  
M 8 - ACC 18145

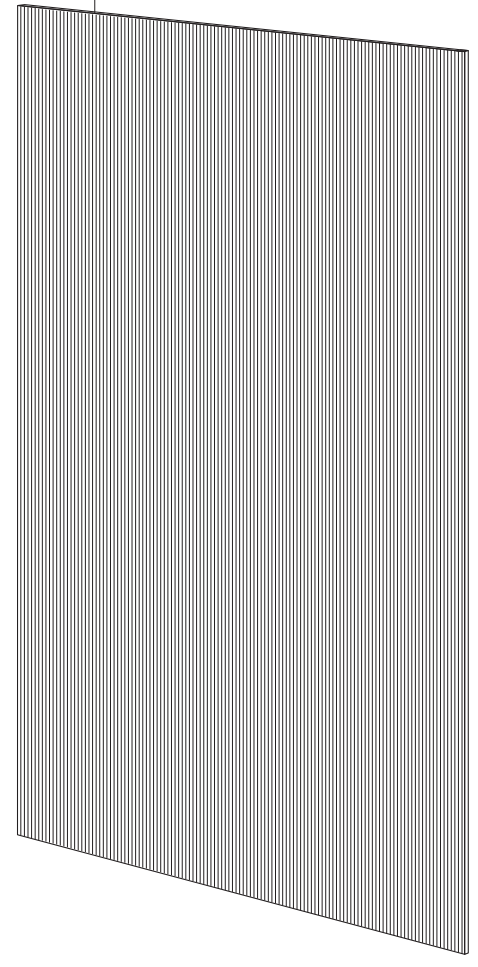
**RE2** (x 12)  
BHC M6 x 45 - ACC 22227

**RE9** (x 3)  
BHC M6 x 40 - ACC 22035

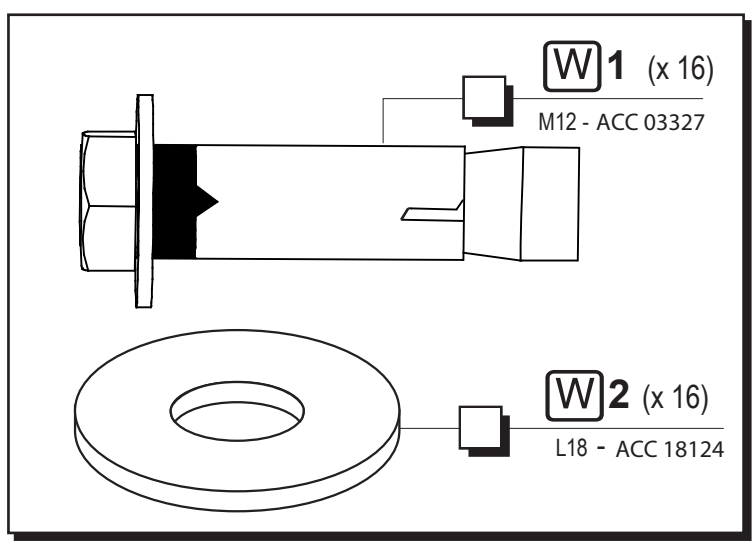
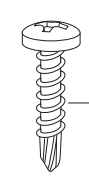
**RE3** (x 15)  
HFr M6 - ACC 05019

**RE4** (x 30)  
L 6 - ACC 18081

**I** (x 2)  
h 1245 x 2300  
VIT 81011



**Y2** (x 8)  
3,5 x 19 - ACC22055

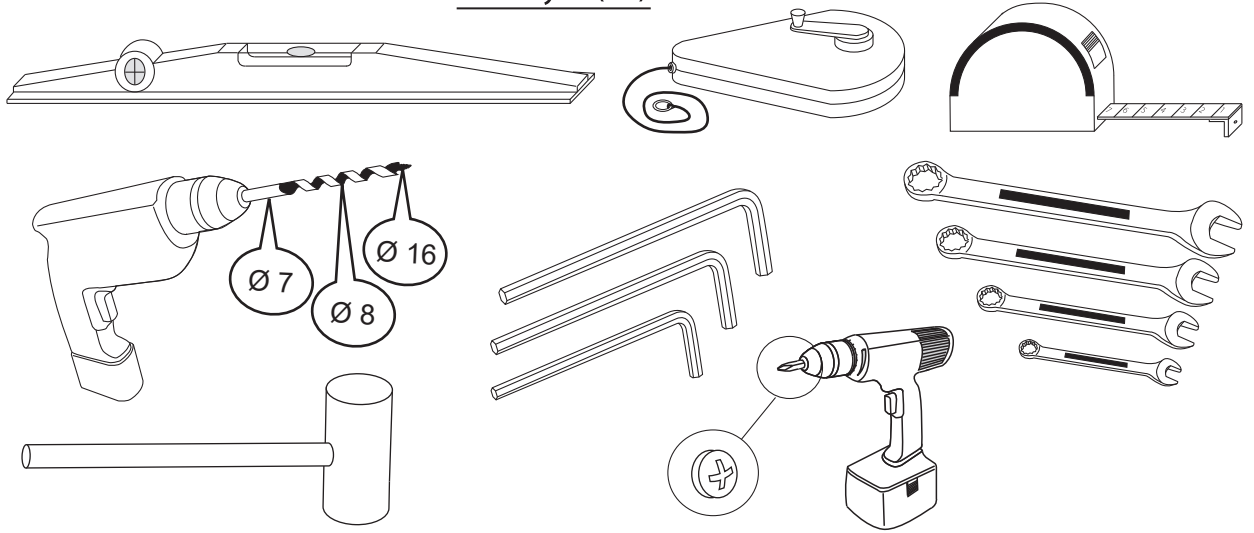


**W1** (x 16)  
M12 - ACC 03327

**W2** (x 16)  
L18 - ACC 18124

Procity = (x0)

x2



1

